

Fastening pattern



REV

0

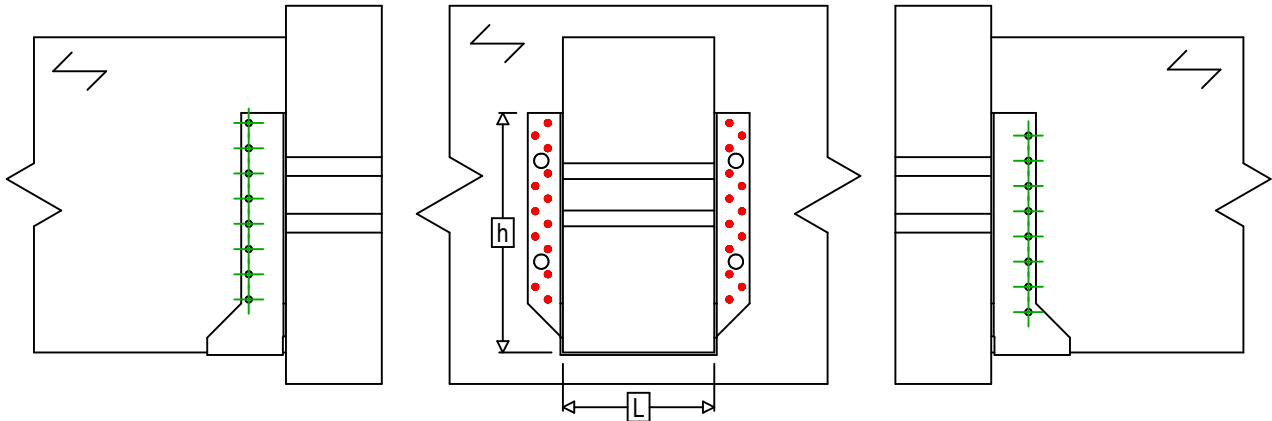
REV DATE

23/07/24

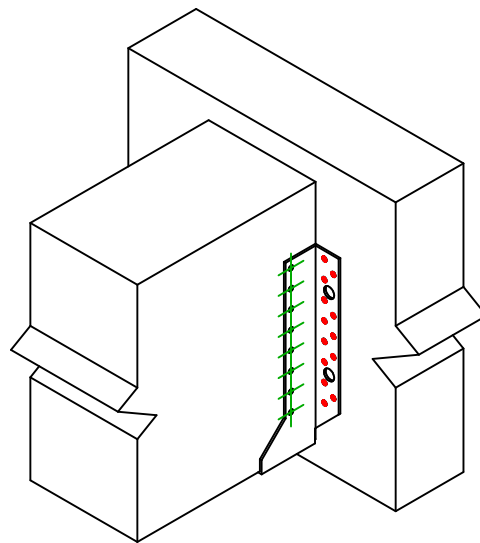
DWG NAME

C_BSNN500_2D0_NP_JTB-FN-UK

| | | | |
|-------------------|---|------------------|---------------|
| Item | = | BSNN500 | |
| Fasteners | = | Timber to timber | Joist to beam |
| Type of fastening | = | Full nailing | |



$$h = (500 - L) / 2$$



| Header Fastener(s) | Symbol | Fasteners | Fasteners | | Qty | |
|--------------------|--------|-----------|-----------|-----------------------|-----------|----|
| | | CNA | | CNA4.0X35 / CNA4.0X50 | | 26 |
| | | CSA | | CSA5.0X35 / CSA5.0X40 | | |
| - | | - | - | | | |
| Joist Fastener(s) | Symbol | Fasteners | L < 64mm | L > 64mm | Qty | |
| | | CNA | | CNA4.0X35 | CNA4.0X50 | 16 |
| | | CSA | | CSA5.0X35 | CSA5.0X40 | |